

OPTRA



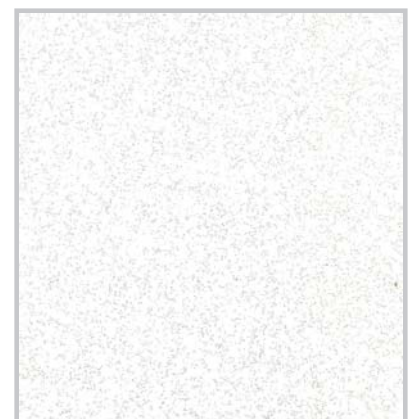
OPTRA Open Plan Square Lay-in with Peakform™ Prelude™ XL 24mm Exposed Tee grid

BENEFITS

- High acoustic performance
- High light reflective finish
- Cost effective
- Appealing smooth surface
- RH95 Humidity Resistant
- Sustainable – Green Star™ contribution

APPLICATION AREAS

- Open plan offices
- Call centres
- Retail
- Healthcare
- Education
- Theatres / auditoriums



Inspiring Great Spaces®

Armstrong®
CEILING SOLUTIONS

OPTRA



Colours available



RH95 Humidity Resistant



Product Handling Durability



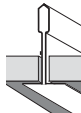
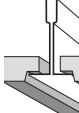
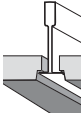
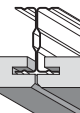
85% Recycled Content EN ISO 14021



Light Reflectance Up to 88%



Acoustical Comfort

Panel Options	SQUARE LAY-IN	ANGLED TEGULAR	MICROLOOK	K2C2 EDGE
	 Prelude™ 24mm Grid	 Prelude™ 24mm Grid	 Suprafine™ 15mm Grid	 Modular Grid
600 x 600 x 15mm	G600W060615S	G600W060615TL	G600W060615ML	–
1200 x 600 x 15mm	G600W061215S	G600W061215TL	G600W061215ML	#
1200 x 1200 x 20mm	G600W1212120S	*	*	–

– Not available

* Special sizes and profiles available upon request.

K2C2 items are 20mm thick.

Contact your local Armstrong Ceilings representative for stock availability



NRC: 0.90: 15mm (White)
NRC: 0.95: 20mm (White)

NRC: 0.85: 15mm (Black)
NRC: 0.90: 20mm (Black)



RH95% at 4°C – 30°C



Conforms with BCA Spec. C1.10 and tested to AS/NZS 3837:1998 – Group 1, ISO 5660 – Group 1 –S



Thermal Insulation (R- Value)
0.47 m²K/W



1.88kgs/m² (15mm)
2.38kgs/m² (20mm)

Material

Biosoluble glass wool

Surface Finish

Factory-applied vinyl latex paint with painted (fully sealed) edges

Backloading Recommendation

Contact your local Armstrong representative

Colour Options



WH-Global White
RAL9016



BL-Black
RAL9005



RAL colours available upon request

Suspension Systems

PeakForm™ Steel options above, with ARMSTRONG BLUE TONGUE® Aluminium upon request

Green Star™: Potential contribution Interiors v1.1 / Design & As Built v1.2

Indoor Environmental Quality				Materials	
Credit 9 / 10 ACOUSTIC COMFORT	Credit 10.2A / 11.2A LIGHTING COMFORT COMFORT SURFACE ILLUMINANCE	Credit 11.1B / 12.1B VISUAL COMFORT: DAYLIGHT	Credit 12 / 13 INDOOR POLLUTANTS	Credit 21B / 21B SUSTAINABLE PRODUCTS – Recycled Content Product	Credit 22 / 22 CONSTRUCTION AND DEMOLITION WASTE
✓	✓	✓	✓	✓	✓



green building council australia
MEMBER 2017-2018



Armstrong World Industries Pty Ltd

www.armstrongceilings.com.au

Email: scentre@armstrongceilings.com

NSW/ACT

Tel: (02) 9748 1588

VIC/TAS

Tel: (03) 8706 4000

QLD/NT

Tel: (07) 3809 5565

Inspiring Great Spaces® is a trademark of AFI Licensing LLC. Green Star™ is a trademark of the Green Building Council of Australia; All other trademarks are property of AWI Licensing LLC and/or affiliates. © 2017 AWI Licensing LLC.

AWP1117 Printed on Zanders Mega Recycled paper

Inspiring Great Spaces®

Armstrong®
CEILING SOLUTIONS